

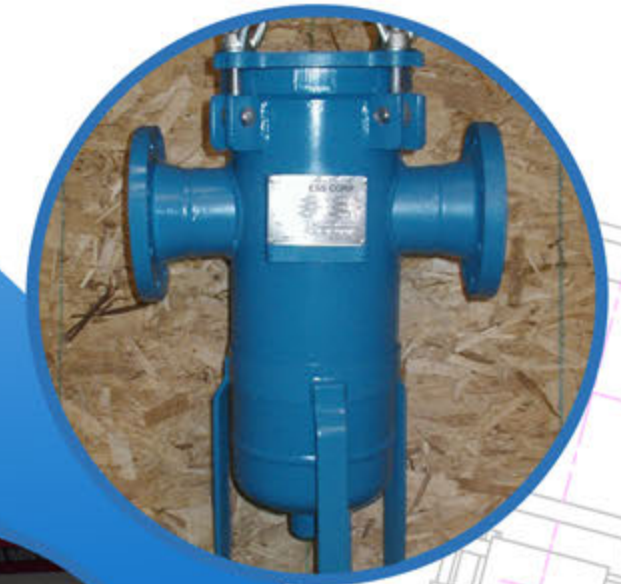
ESS Corp was founded in August 2000. Our company goal is to provide our customers with exceptional services and products, carrying quality throughout the manufacturing process.



ENGINEERED SYSTEMS & SPECIALTIES



*Engineering & Innovation
Beyond Expectation*



Authorized Representative



OOSL Oil Field Services
Tripoli / Libya
Alhadba Al Khadra
P.O Box 14471
Oosl / Libya

ESS Corp
1565 Britannia Rd. E
Units 36-37
Mississauga, Ontario
L4W 2V6

Toll Free: 1-877-896-9292
Fax: 905-696-8046
Email: info@esscorp.ca

Phone: 218 21 490 8192
Fax: 218 21 491 1096
Email: info@oosl.ly

*Engineering & Innovation
Beyond Expectation*

Fabricated Strainers

Fabricated Strainers

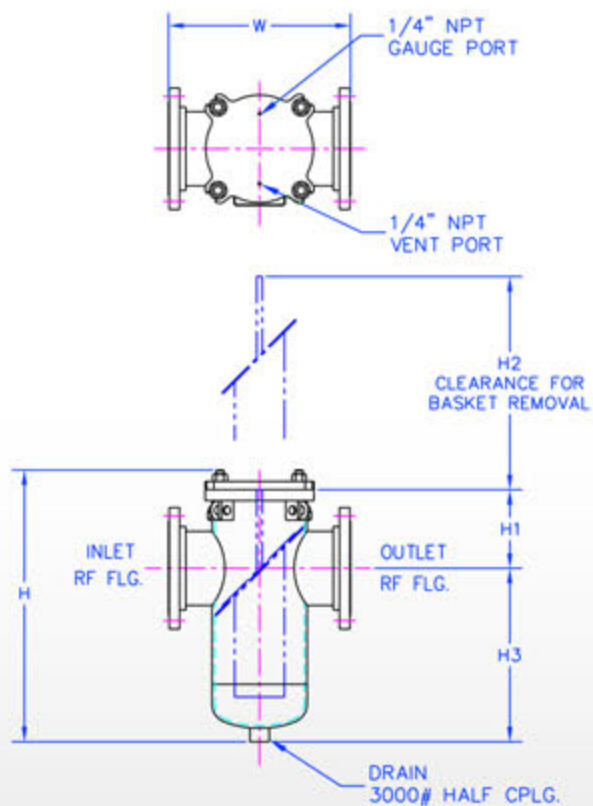


Standard Fabricated Strainers

Duplex Systems



ESS Corp Fabricated Strainers - provide coarser filtration for removing dirt, debris, and particulates from pipeline. They provide a great first stage filtration before utilizing finer filtration elements.



Sizes of Smaller Units

INLET/OUTLET SIZE RF FLANGE	1	1 1/2	2	2 1/2"
HOUSING DIAMETER PIPE SIZE	3	3	3	4
W	9 5/8	9 7/8	10	11 3/4
H1	3 1/3	4	4 1/2	5
H2	6 3/4	8 1/8	9 5/8	10 1/8
H3	5	6	7	7 3/8
H	11 1/2	12 7/8	9 5/8	10 1/8
BASKET DIAMETER	2	2	2	3 1/4
BASKET LENGTH	3	4	5	5
DRAIN SIZE	3/4	3/4	1	1

INLET/OUTLET SIZE RF FLANGE	3	4	5	6	8
HOUSING DIAMETER PIPE SIZE	6	6	8	8	10
W	13 7/8	13 7/8	16 3/8	16 1/2	19 1/4
H1	5 1/4	6	6 5/8	7 1/8	8 1/2
H2	11 1/2	13 1/4	14 3/4	19 1/4	16 1/8
H3	9 1/4	10 1/4	11 1/8	15 1/8	19 7/8
H	11 1/2	19 1/4	20 7/8	25 3/8	31 1/2
BASKET DIAMETER	4	4	5 1/2	5 1/2	7 1/2
BASKET LENGTH	6	7	8	12	16
DRAIN SIZE	1 1/2	1 1/2	2	2	2



ESS Corp produces simplex and duplex strainers configurations. Variety of sizes and pressure rating are available. Materials of manufacture, range from commonly used carbon and stainless, to exotic like hastelloy and Titanium.

ESS Corp basket have large sump for particulate accumulation and longer time between clean up. Basket is made of SS304 materials for longer basket life, comes with openings of 9/64" hole size as standard. Optional mesh lining for strainer baskets and various materials for seals are available.

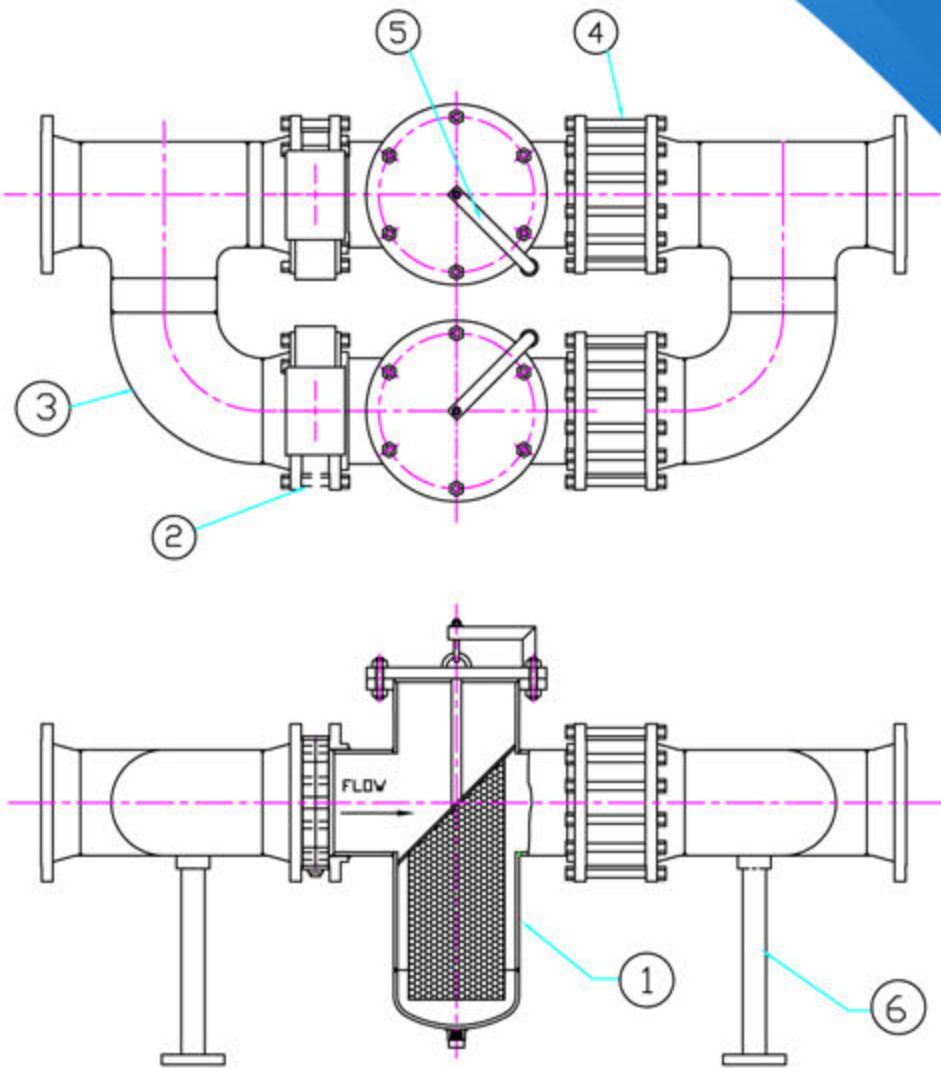
Vent is located on the lid top and the drain on the very bottom of the vessel, for quick fill up and draining. Eye bolts allow easy opening and closing; no need to remove any hardware. Davit arm is provided where the lid weight is over 45 lbs.

Duplex Strainer System

SOME OF OUR SYSTEMS ARE USED BY:



General layout of duplex system



ITEM	NO. REQ'D.	NAME
1	1	Strainer
2	2	Valve
3	2	Manifold In/Out
4	2	Check Valve
5	2	Davit
6	4	Support

Features:



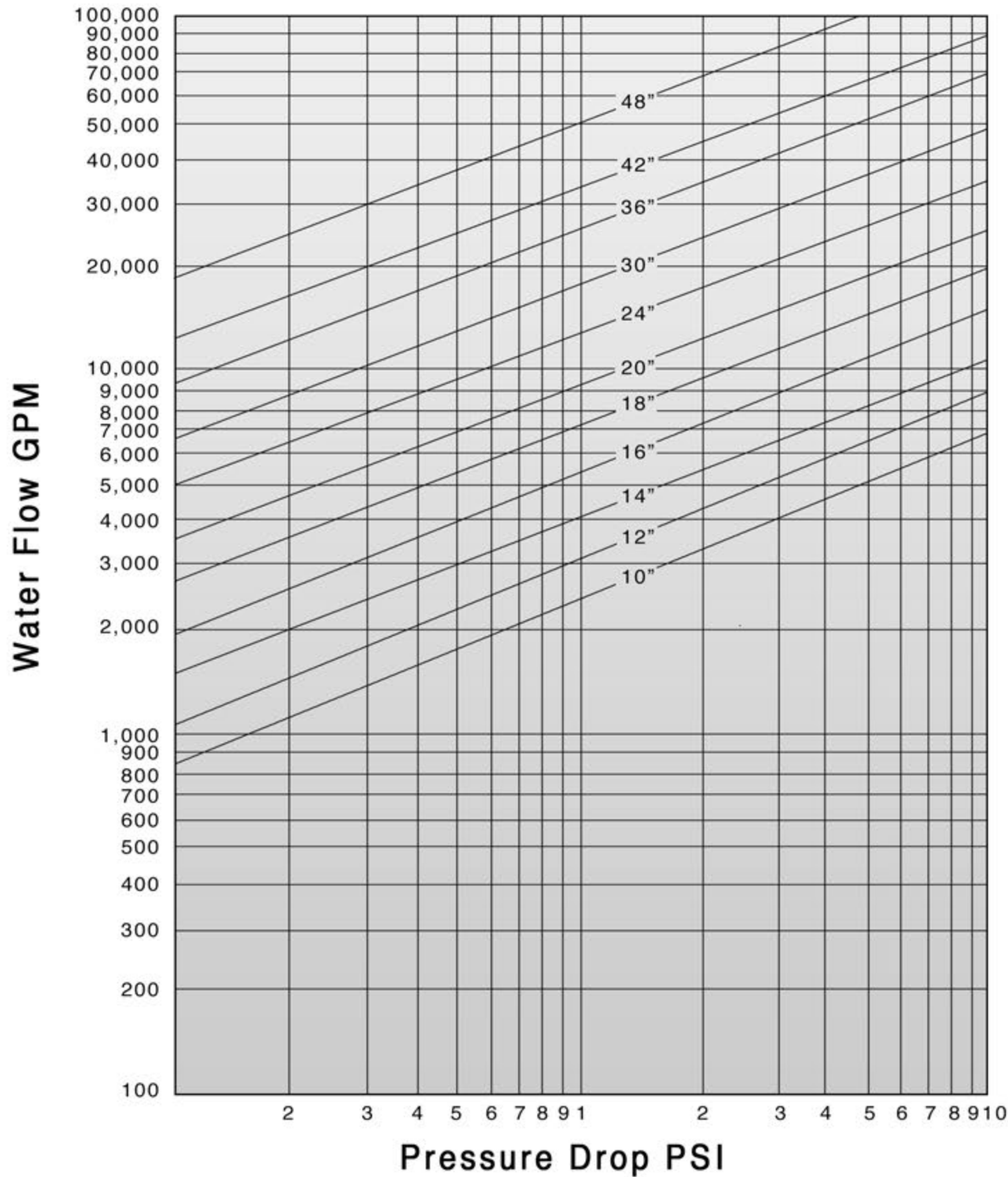
- Free open area compared to pipe cross section, needs to be 4 to 1.
- Easy basket removal, since baskets require periodic clean up or replacement, due to dirt build up or replacing due to buildup.
- Compact design to save valuable space and for easier handling.
- Variety of screen perforation gives flexibility in meeting different filtra-

Hinged lid, gas spring assisted or hydraulic jack lid lifting are available as option. Design allows access to the interior of the vessel without interfering with piping. Use of valves before and after the strainer is recommended for easier maintenance.

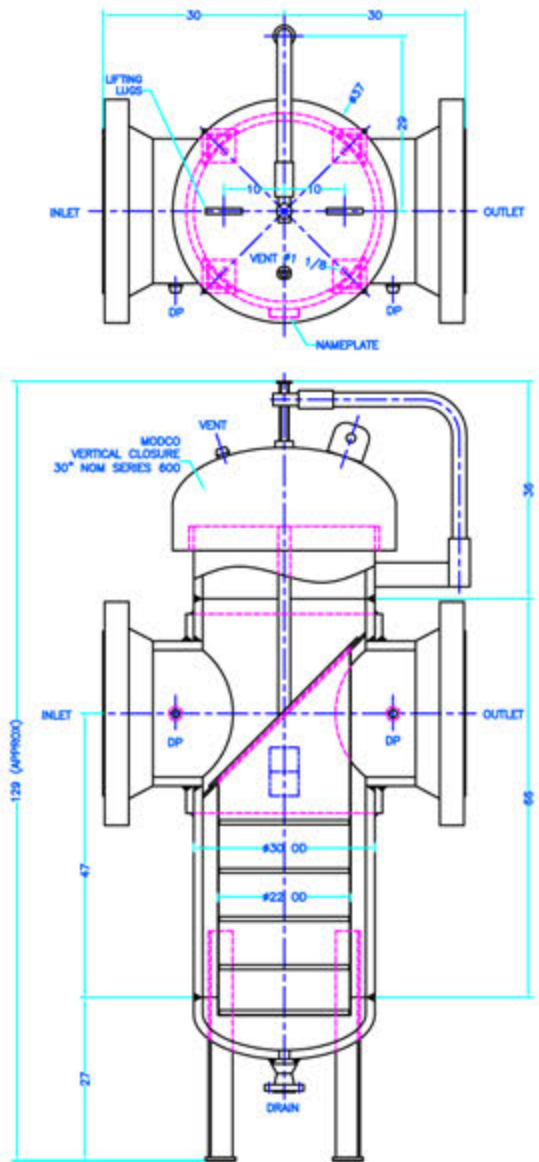
Carbon steel vessels are blasted and painted outside only with industrial enamel, as welded in side. Interior protective lining available where required, from epoxy, Teflon and others meant to increase corrosion resistance, to abrasion resistant liners.

SS vessels are provided with glass bead finish outside, as welded in side.

In general, we are proud to say, we have strainer for any application.



10" - 48" with 1/32" or larger screen opening
 Our Specialist shall verify selection for every application



MODEL: S30-24F-CS-1440

SPECIFICATIONS

- DESIGNED PER ASME CODE SECTION VIII DIV. 1,
- MATERIAL OF CONSTRUCTION: VESSEL: CARBON STEEL
BASKET: STAINLESS STEEL 316
- EXTERNAL SURFACES FINISH: BLASTED AND PAINTED
- INTERNAL SURFACES FINISH: BLASTED AND EPOXY COATED
- COVER "O" RING MATERIAL: VITON
- DESIGN PRESSURE: 1440 PSIG @ 120 DEG. F.
- MIN. DESIGN METAL TEMP.: -40 DEG. F. @ 1440 PSIG
- BOLTS AND HEX NUTS MATERIALS: CARBON STEEL
- CONNECTIONS: INLET/OUTLET: 24 in. RFWN 600# FLG.
DP. GAUGE: 1 in. FNPT-6000# TOL.
VENT: 1 in. FNPT-6000# TOL.
DRAIN: 2 in. RFWN 600# FLG.
- CORROSION ALLOWANCE: 1/16 in
- RADIOGRAPHY: FULL
- PWHT: YES

Custom strainer produced for local pipeline company

