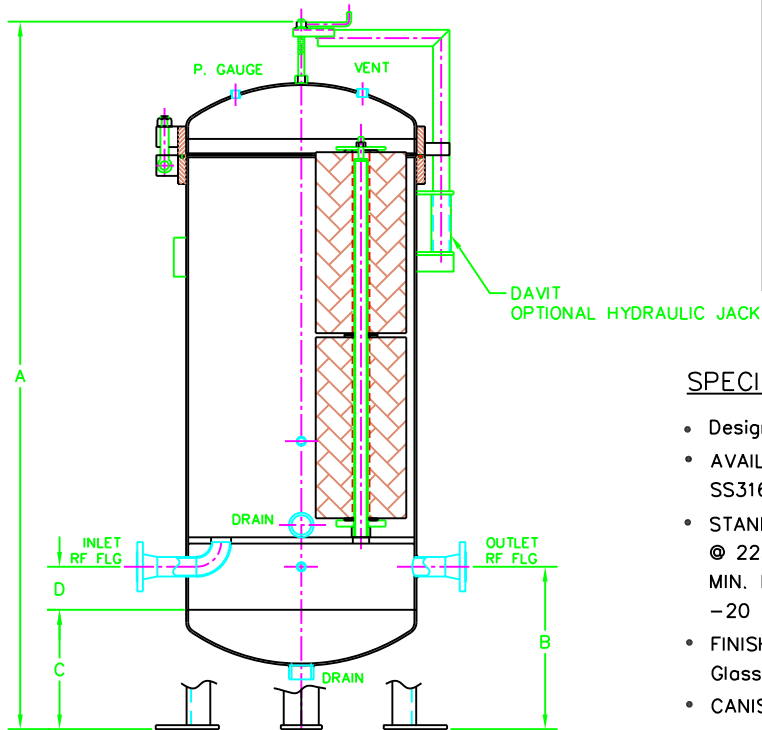
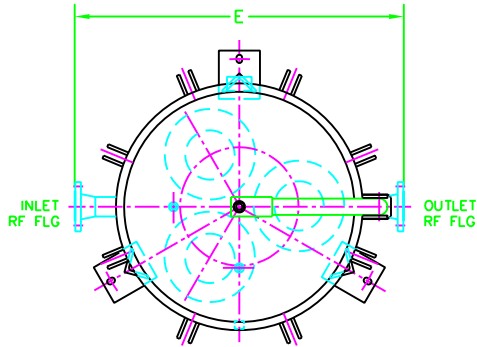


CHARCOAL FILTER



Office: 905.696.9292
 Toll Free: 1.877.896.9292
 Fax: 905.696.8046
www.esscorp.ca
 1565 Britannia Rd. E. Unit 36 & 37
 Mississauga, ON - Canada L4W 2V6

Mod# CCF



MODEL	VESSEL DIAMETER	# OF CANISTERS	INLET/OUTLET	A	B	C	D	E	DRAIN	P.G./VENT
CCF12-1C-22L	12 3/4	1	1"	53 1/4	16	13	3	20 3/4	3/4	1/2
CCF12-2C-44L	12 3/4	2	1"	75 1/4	16	13	3	20 3/4	3/4	1/2
CCF12-3C-66L	12 3/4	3	1"	97 1/4	16	13	3	20 3/4	3/4	1/2
CCF28-6C-44L	28	6	2"	86	20	15	5	40	2	1/2
CCF28-9C-66L	28	9	2"	108	20	15	5	40	2	1/2
CCF30-8C-44L	30	8	2"	88	22	17	5	42	2	1/2
CCF30-12C-66L	30	12	2"	110	22	17	5	42	2	1/2
CCF36-10C-44L	36	10	2"	90	22	17	5	48	2	1/2
CCF36-15C-66L	36	15	2"	112	22	17	5	48	2	1/2
CCF38-14C-44L	38	14	3"	91 1/2	24	18	6	50	2	1/2
CCF38-21C-66L	38	21	3"	113 1/2	24	18	6	50	2	1/2
CCF42-16C-44L	42	16	3"	91 1/2	24	18	6	54	2	1/2
CCF42-24C-66L	42	24	3"	113 1/2	24	18	6	54	2	1/2
CCF48-22C-44L	48	22	4"	95	26	20	6	60	2	1/2
CCF48-33C-66L	48	33	4"	117	26	20	6	60	2	1/2

SPECIFICATIONS

- Design Code ASME Sec. VIII Div. 1
- AVAILABLE MATERIAL: Carbon Steel, SS316/304...
- STANDARD DESIGN RATING: 150 PSIG @ 225 Deg. F, Other on Request
 MIN. DESIGN METAL TEMP: -20 Deg. F. @ 150 PSIG, or Per Spec.
- FINISH: Blasted and Painted for CS
 Glass Bead for SS Vessels, or to Meet Spec.
- CANISTER: DOE, 11" DIA, 22" LG.
 FILLING: Charcoal
- INLET/OUTLET OPTION: RF Flange, Half Coupling, Other Available on Request
- BOLTS AND HEX NUTS: Plated Carbon Steel, or to Meet Specification
- O'RINGS: Buna N or EPDM Standard
 Viton, TEV or other optional
- ASME Code Stamp Available
- Special Coating or High Polish Available on Request