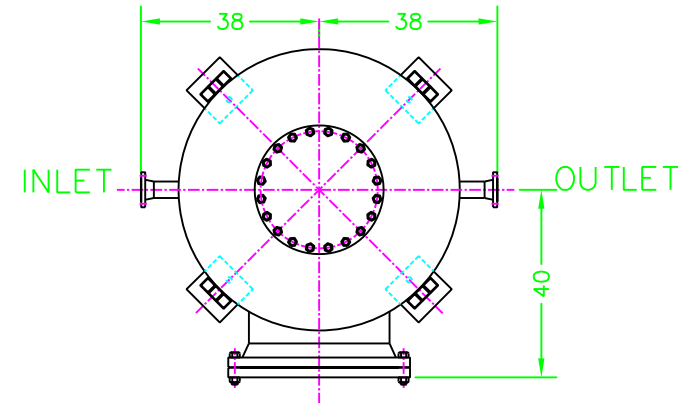
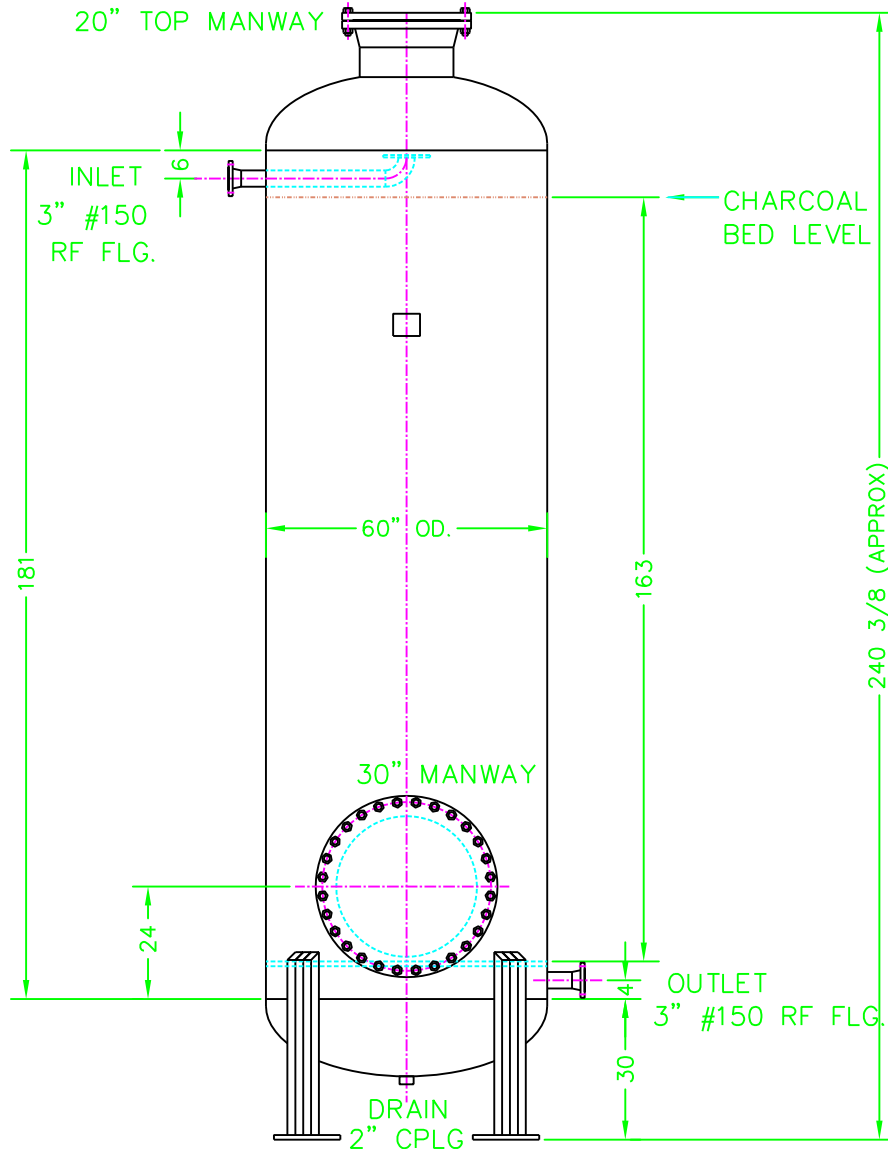


# CHARCOAL BED FILTER



Office: 905.696.9292  
 Toll Free: 1.877.896.9292  
 Fax: 905.696.8046  
[www.esscorp.ca](http://www.esscorp.ca)  
 1565 Britannia Rd. E. Unit 36 & 37  
 Mississauga, ON - Canada L4W 2V6

Mod# CBF-60D-163L



## SPECIFICATIONS

- DESIGN CODE: ASME Sec. VIII Div. 1
- AVAILABLE MATERIAL: Carbon Steel, SS316/304..
- STANDARD DESIGN RATING: 150 PSIG @ 250 Deg. F, Other on Request  
 MIN. DESIGN METAL TEMP:  
 -20 Deg. F. @ 150 PSIG, or Per Spec.
- MEDIA:  
 Charcoal Bed, 13.6 ft Depth (Excluded) or on Request
- FINISH: Blasted and Painted for CS  
 Glass Bead for SS Vessels, or to Meet Spec.
- INLET/OUTLET OPTION: RF Flange, Half Coupling, Other Available on Request
- BOLTS AND HEX NUTS:  
 Plated Carbon Steel, or to Meet Specification
- ASME Code Stamp Available
- Special Coating or High Polish Available on Request

ALL DIMENSIONS FOR REFERENCE ONLY, FOR ACCURATE SIZES REQUEST CERTIFIED DRAWINGS

FILE: CBF-60D-163L