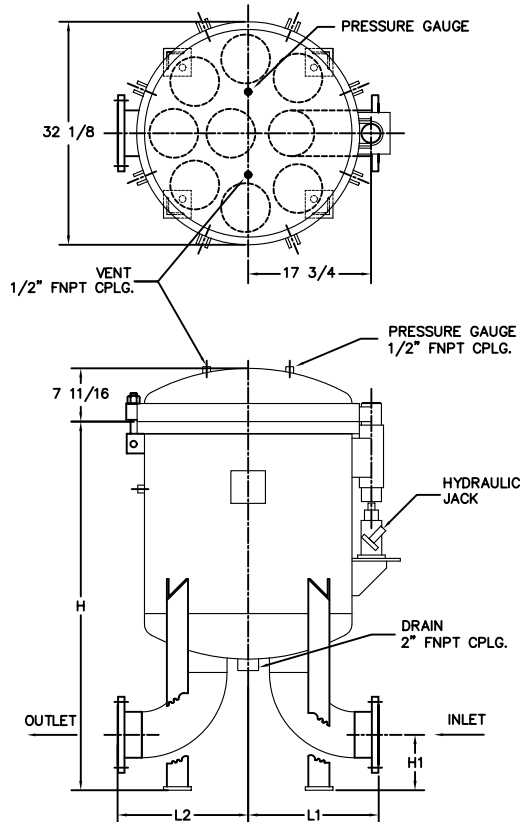


BAG FILTER

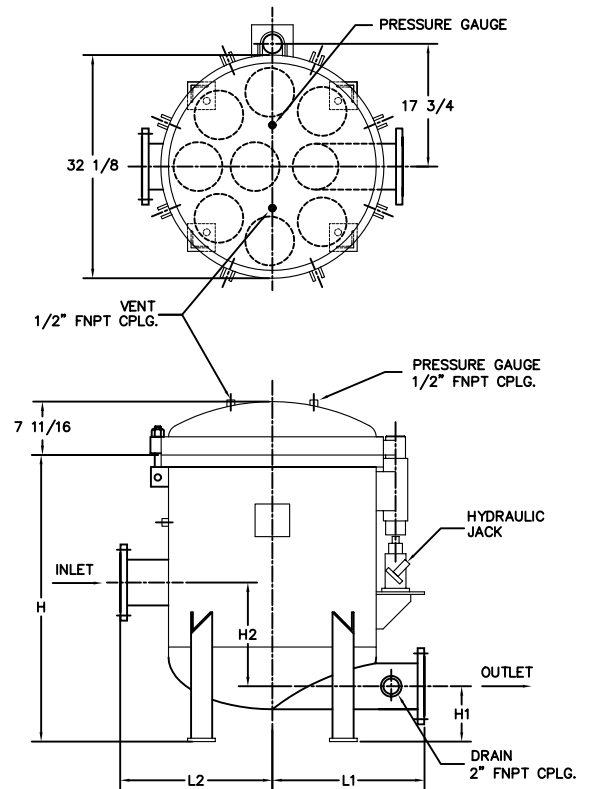
ESS CORP.

Mod# BG8

1565 BRITANNIA RD. E. MISSISSAUGA, ON. L4W 2V6 TEL: 905-696-9292 FAX: 905-696-8046



BG8-JACK



BG8-EC-JACK

SPECIFICATIONS

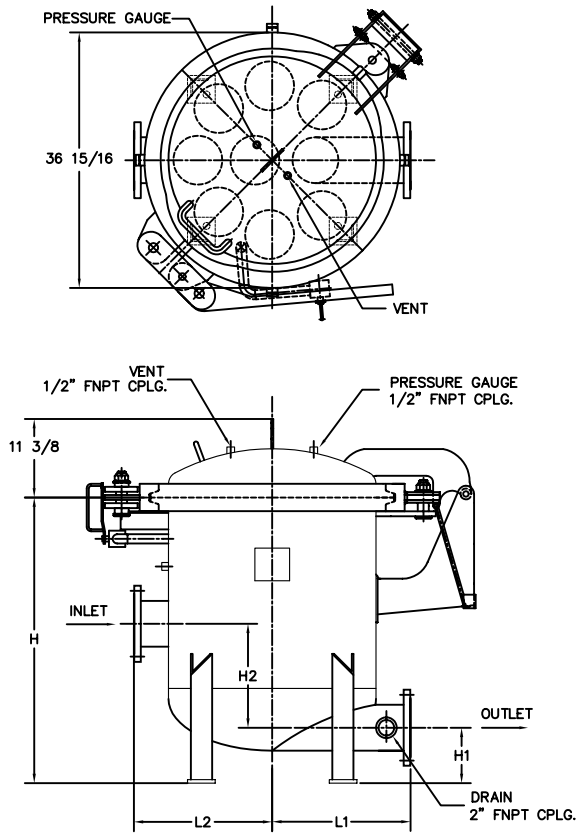
- Design Code ASME Sec. VIII Div. 1
- AVAILABLE MATERIAL: Carbon Steel, SS316/304...
- STANDARD DESIGN RATING: 150 PSIG @ 225 Deg. F, Other on Request
MIN. DESIGN METAL TEMP: -20 Deg. F. @ 150 PSIG, or Per Spec.
- BASKET: Size L1 or L2
Material: Stainless Steel
Perf. Plate, Dome Bottom
- FINISH: Blasted and Painted for CS
Glass Bead for SS Vessels, or to Meet Spec.
- INLET/OUTLET OPTION: RF Flange, Half Coupling, Other Available on Request
- EYE BOLTS AND HEX NUTS: Plated Carbon Steel, or to Meet Specification
- O'RINGS: Buna N or EPDM Standard
Viton, TEV or other optional
- Filter Bags Extra
- ASME Code Stamp Available
- Special Coating Available on Request

BAG FILTER

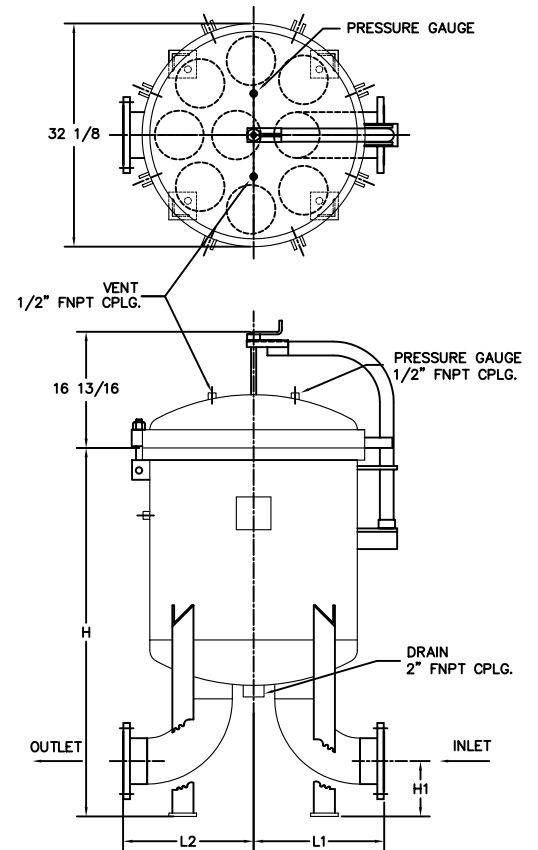
ESS CORP.

Mod# BG8

1565 BRITANNIA RD. E. MISSISSAUGA, ON. L4W 2V6 TEL: 905-696-9292 FAX: 905-696-8046



BG8-V-CLAMP



BG8

MODEL	BASKET SIZE	CONNECTION	DIMENSIONS (INCHES)				
			L1	L2	H	H1	H2
BG8-L2-4F-JACK	L2	4" FLG.	15 1/4	15 1/4	49 1/4	7	
BG8-L2-4F-EC-JACK	L2	4" FLG.	21	21	40 7/16	7	18 1/2
BG8-L2-4F-V-CLAMP	L2	4" FLG.	19	19	40 1/4	7	18 1/2
BG8-L2-4F-DAVIT	L2	4" FLG.	15 1/4	15 1/4	49 1/4	7	
BG8-L2-6F-JACK	L2	6" FLG.	18 3/4	18 3/4	53 1/4	8	
BG8-L2-6F-EC-JACK	L2	6" FLG.	22	22	41 7/16	8	15
BG8-L2-6F-V-CLAMP	L2	6" FLG.	20	20	41 1/4	8	15
BG8-L2-6F-DAVIT	L2	6" FLG.	18 3/4	18 3/4	53 1/4	8	
BG8-L2-8F-JACK	L2	8" FLG.	22 1/4	22 1/4	56 1/4	9	
BG8-L2-8F-EC-JACK	L2	8" FLG.	23	23	42 7/16	9	15
BG8-L2-8F-V-CLAMP	L2	8" FLG.	21	21	42 1/4	9	15
BG8-L2-8F-DAVIT	L2	8" FLG.	22 1/4	22 1/4	56 1/4	9	