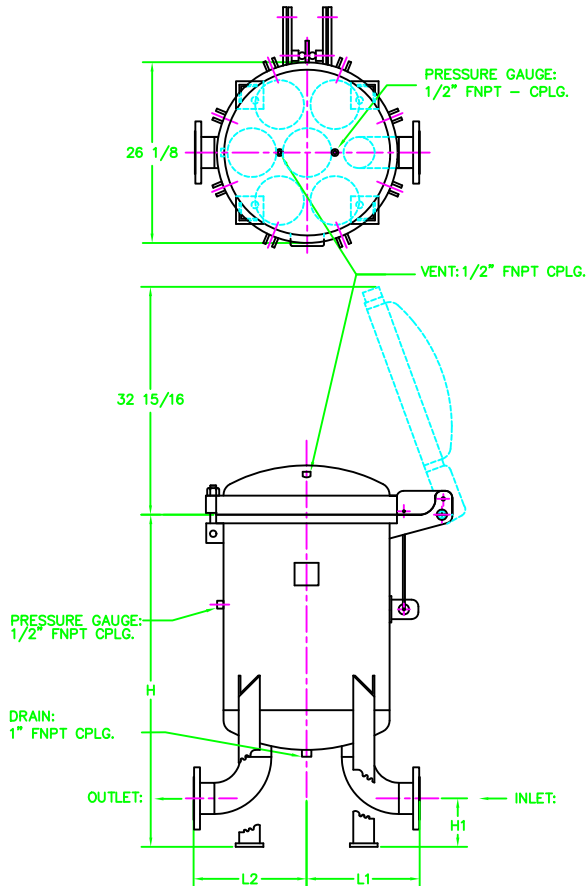


# BAG FILTER

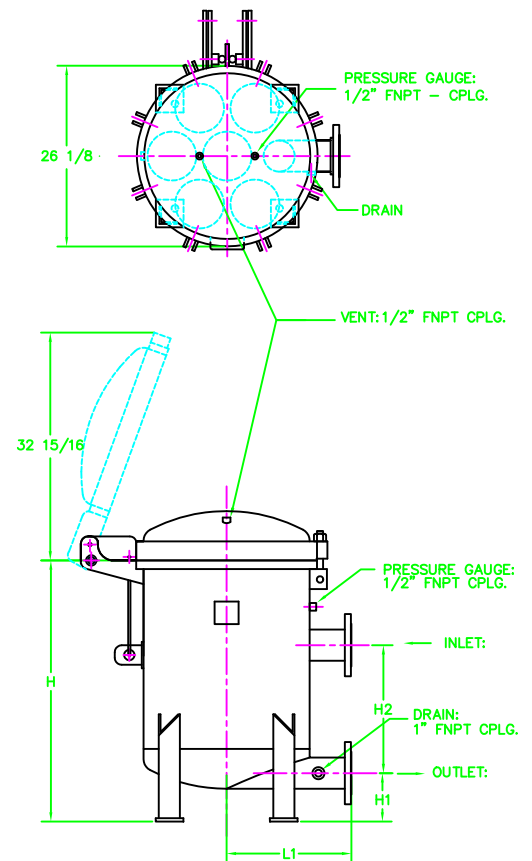


Office: 905.696.9292  
 Toll Free: 1.877.896.9292  
 Fax: 905.696.8046  
[www.esscorp.ca](http://www.esscorp.ca)  
 1565 Britannia Rd. E. Unit 36 & 37  
 Mississauga, ON - Canada L4W 2V6

## Mod# BG6



**BG6-EL**



**BG6-ECEL**

### SPECIFICATIONS

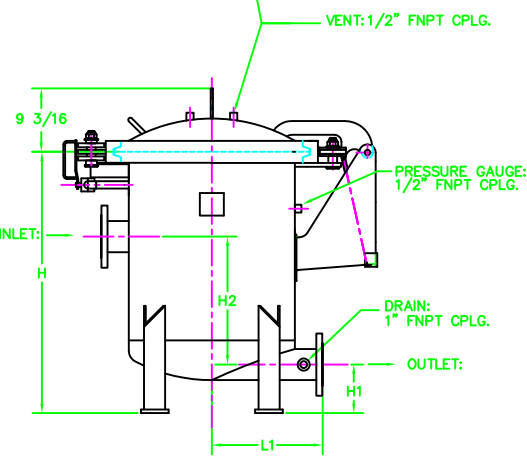
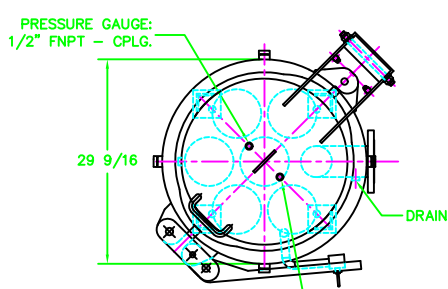
- Design Code ASME Sec. VIII Div. 1
- AVAILABLE MATERIAL: Carbon Steel, SS316/304...
- STANDARD DESIGN RATING: 150 PSIG @ 225 Deg. F, Other on Request  
 MIN. DESIGN METAL TEMP: -20 Deg. F. @ 150 PSIG, or Per Spec.
- BASKET: Size L1 or L2  
 Material: Stainless Steel  
 Perf. Plate, Dome Bottom
- FINISH: Blasted and Painted for CS  
 Glass Bead for SS Vessels, or to Meet Spec.
- INLET/OUTLET OPTION: RF Flange, Half Coupling, Other Available on Request
- EYE BOLTS AND HEX NUTS: Plated Carbon Steel, or to Meet Specification
- O'RINGS: Buna N or EPDM Standard  
 Viton, TEV or other optional
- Filter Bags Extra
- ASME Code Stamp Available
- Special Coating Available on Request

# BAG FILTER

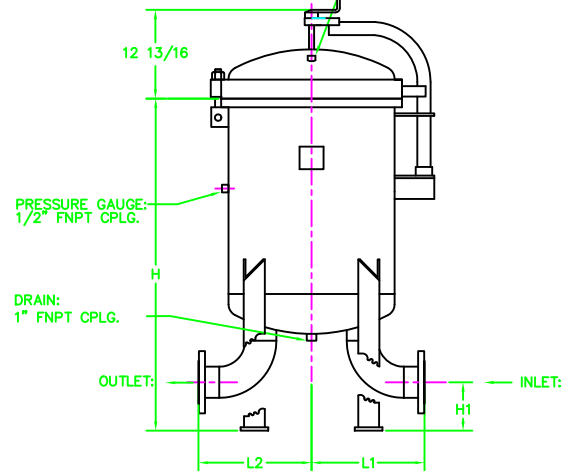
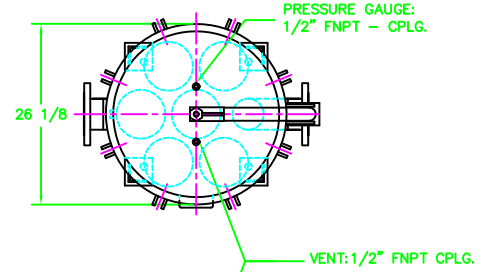


Office: 905.696.9292  
 Toll Free: 1.877.896.9292  
 Fax: 905.696.8046  
 www.esscorp.ca  
 1565 Britannia Rd. E. Unit 36 & 37  
 Mississauga, ON - Canada L4W 2V6

## Mod# BG6



**BG6-V-CLAMP**



**BG6**

MODEL	BASKET SIZE	CONNECTION	DIMENSIONS (INCHES)				
			L1	L2	H	H1	H2
BG6-L2-3F-EL	L2	3" FLG.	14 3/4	14 3/4	45 1/2	6	
BG6-L2-3F-ECEL	L2	3" FLG.	17		36 3/4	6	17
BG6-L2-3F-V-CLAMP	L2	3" FLG.	15		36 3/4	6	17
BG6-L2-3F-DAVIT	L2	3" FLG.	14 3/4	14 3/4	45 1/2	6	
BG6-L2-4F-EL	L2	4" FLG.	16 1/2	16 1/2	48	7	
BG6-L2-4F-ECEL	L2	4" FLG.	18		37 3/4	7	18 1/2
BG6-L2-4F-V-CLAMP	L2	4" FLG.	16		37 3/4	7	18 1/2
BG6-L2-4F-DAVIT	L2	4" FLG.	16 1/2	16 1/2	48	7	
BG6-L2-6F-EL	L2	6" FLG.	20	20	51	7	
BG6-L2-6F-ECEL	L2	6" FLG.	19		40 5/8	8	20 1/2
BG6-L2-6F-V-CLAMP	L2	6" FLG.	17		40 5/8	8	20 1/2
BG6-L2-6F-DAVIT	L2	6" FLG.	20	20	51	7	