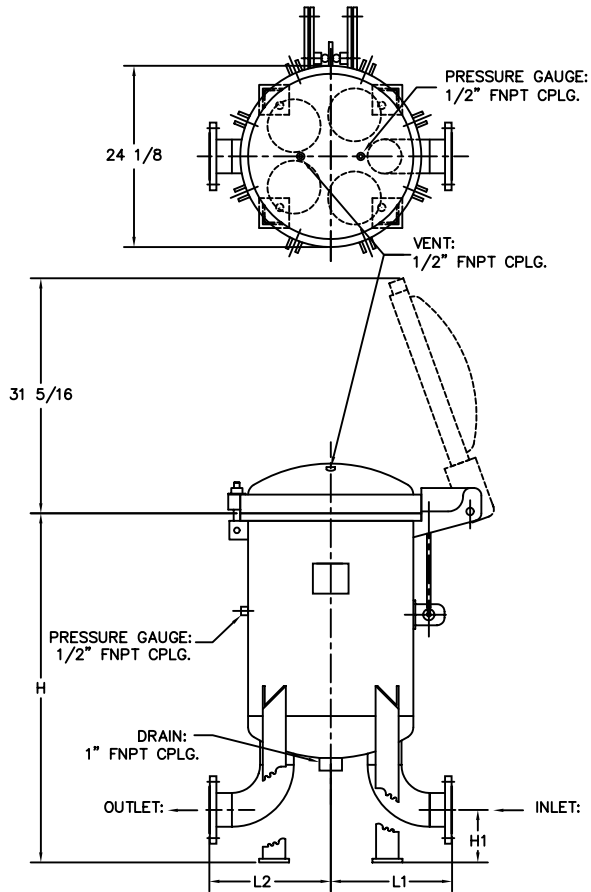


# BAG FILTER

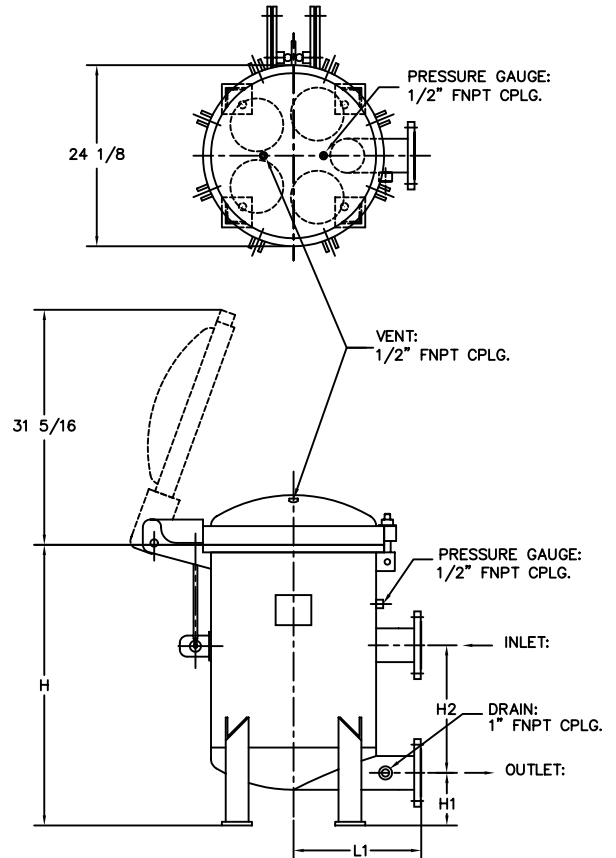
## ESS CORP.

## Mod# BG4

1565 BRITANNIA RD. E. MISSISSAUGA, ON. L4W 2V6 TEL: 905-696-9292 FAX: 905-696-8046



BG4-EL



BG4-ECEL

### SPECIFICATIONS

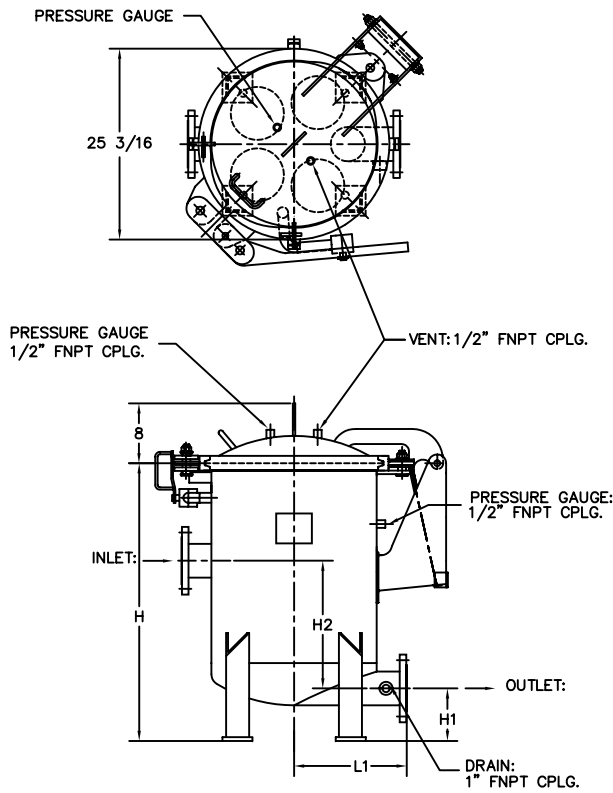
- Design Code ASME Sec. VIII Div. 1
- AVAILABLE MATERIAL: Carbon Steel, SS316/304, Titanium, Hastelloy..
- STANDARD DESIGN RATING: 150 PSIG @ 225 Deg. F, Other on Request  
MIN. DESIGN METAL TEMP:  
-20 Deg. F. @ 150 PSIG, or Per Spec.
- BASKET: Size L1 or L2  
Material: Stainless Steel  
Perf. Plate, Dome Bottom
- FINISH: Blasted and Painted for CS  
Glass Bead for SS Vessels, or to Meet Spec.
- INLET/OUTLET OPTION: RF Flange, Half Coupling, Other Available on Request
- EYE BOLTS AND HEX NUTS:  
Plated Carbon Steel, or to Meet Specification
- O'RINGS:  
Buna N or EPDM Standard  
Viton, TEV or other optional
- Filter Bags Extra
- ASME Code Stamp Available
- Special Coating or High Polish Available on Request

# BAG FILTER

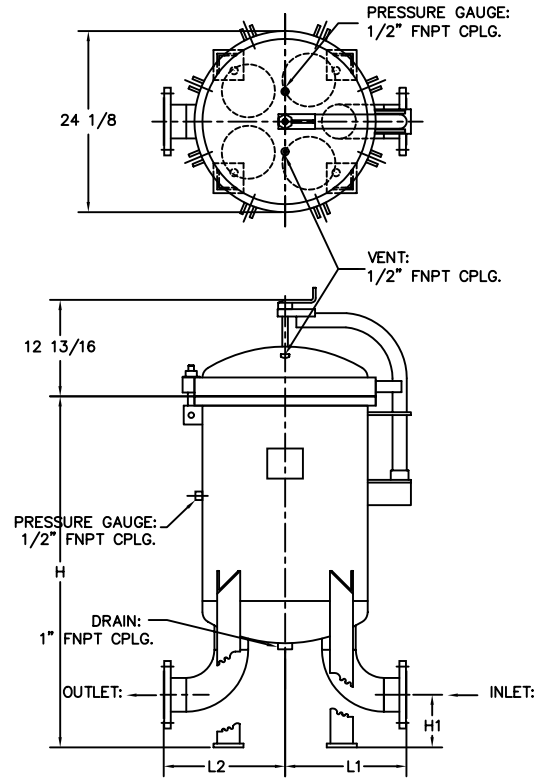
## ESS CORP.

## Mod# BG4

1565 BRITANNIA RD. E. MISSISSAUGA, ON. L4W 2V6 TEL: 905-696-9292 FAX: 905-696-8046



**BG4-V-CLAMP**



**BG4**

MODEL	BASKET SIZE	CONNECTION	DIMENSIONS (INCHES)				
			L1	L2	H	H1	H2
BG4-L2-3F-EL	L2	3" FLG.	14 7/16	14 7/16	44	6	
BG4-L2-3F-ECEL	L2	3" FLG.	16		36 3/8	6	17
BG4-L2-3F-V-CLAMP	L2	3" FLG.	14		36	6	17
BG4-L2-3F-DAVIT	L2	3" FLG.	14 7/16	14 7/16	44	6	
BG4-L2-4F-EL	L2	4" FLG.	16 3/16	16 3/16	46 1/2	7	
BG4-L2-4F-ECEL	L2	4" FLG.	17		37 3/8	7	18 1/2
BG4-L2-4F-V-CLAMP	L2	4" FLG.	15		37	7	18 1/2
BG4-L2-4F-DAVIT	L2	4" FLG.	16 3/16	16 3/16	46 1/2	7	