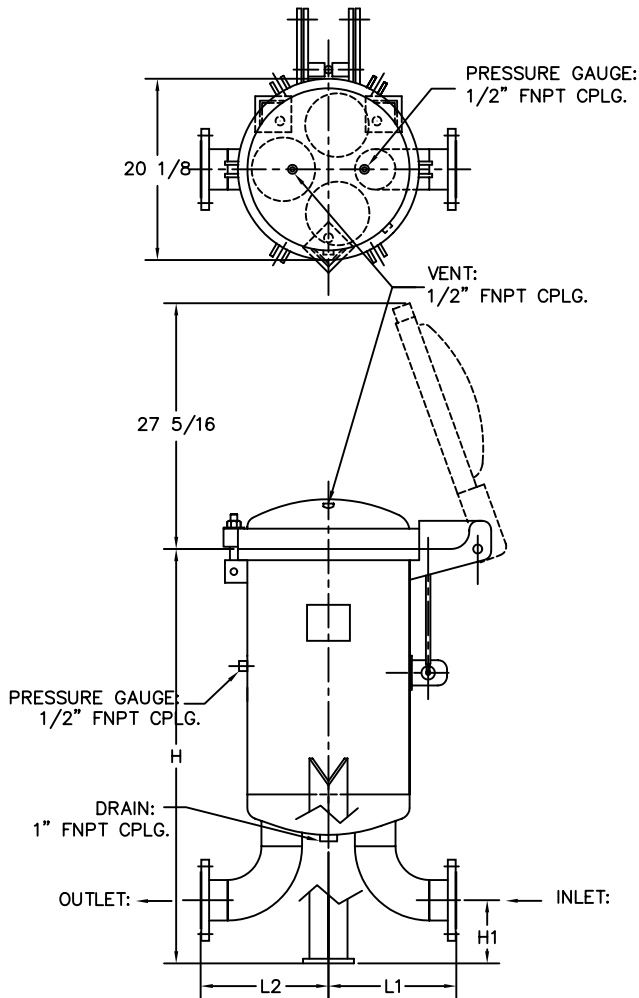


BAG FILTER

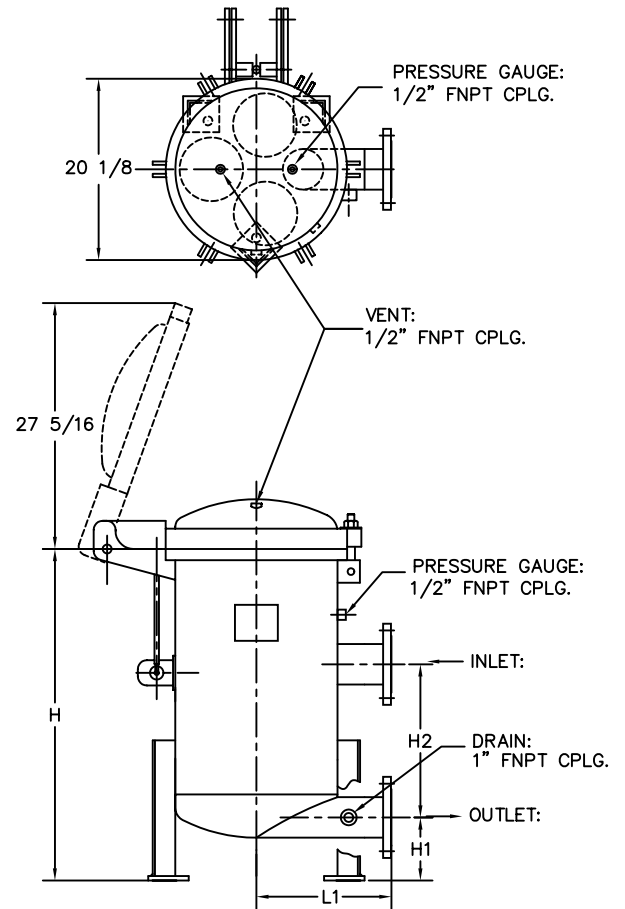
ESS CORP.

Mod# BG3

1565 BRITANNIA RD. E. MISSISSAUGA, ON. L4W 2V6 TEL: 905-696-9292 FAX: 905-696-8046



BG3-EL



BG3-ECEL

SPECIFICATIONS

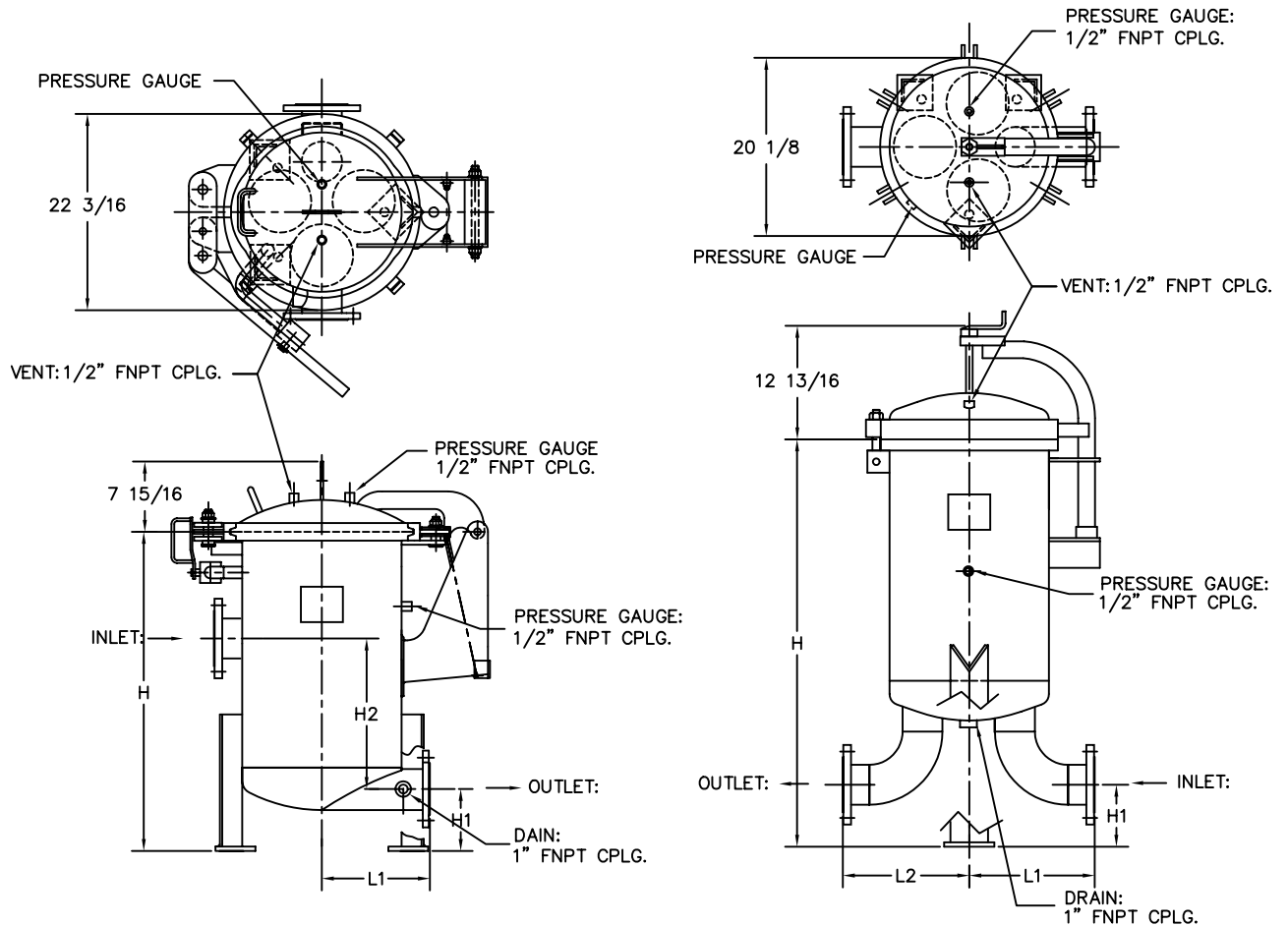
- Design Code ASME Sec. VIII Div. 1
- AVAILABLE MATERIAL: Carbon Steel, SS316/304, Titanium, Hastelloy..
- STANDARD DESIGN RATING: 150 PSIG @ 225 Deg. F, Other on Request
MIN. DESIGN METAL TEMP: -20 Deg. F. @ 150 PSIG, or Per Spec.
- BASKET: Size L1 or L2
Material: Stainless Steel
Perf. Plate, Dome Bottom
- FINISH: Blasted and Painted for CS
Glass Bead for SS Vessels, or to Meet Spec.
- INLET/OUTLET OPTION: RF Flange, Half Coupling, Other Available on Request
- EYE BOLTS AND HEX NUTS: Plated Carbon Steel, or to Meet Specification
- O'RINGS: Buna N or EPDM Standard
Viton, TEV or other optional
- Filter Bags Extra
- ASME Code Stamp Available
- Special Coating or High Polish Available on Request

BAG FILTER

ESS CORP.

Mod# BG3

1565 BRITANNIA RD. E. MISSISSAUGA, ON. L4W 2V6 TEL: 905-696-9292 FAX: 905-696-8046



BG3-V-CLAMP

BG3

MODEL	BASKET SIZE	CONNECTION	DIMENSIONS (INCHES)				
			L1	L2	H	H1	H2
BG3-L2-2F-EL	L2	2" FLG.	10 11/16	10 11/16	41	5	
BG3-L2-2F-ECEL	L2	2" FLG.	13		34 1/8	5	15 1/2
BG3-L2-2F-V-CLAMP	L2	2" FLG.	11 1/2		34 1/8	5	15 1/2
BG3-L2-2F-DAVIT	L2	2" FLG.	10 11/16	10 11/16	41	5	
BG3-L2-3F-EL	L2	3" FLG.	12 7/16	12 7/16	43 1/2	6	
BG3-L2-3F-ECEL	L2	3" FLG.	14		35 1/8	6	17
BG3-L2-3F-V-CLAMP	L2	3" FLG.	11 3/4		35 1/8	6	17
BG3-L2-3F-DAVIT	L2	3" FLG.	12 7/16	12 7/16	43 1/2	6	
BG3-L2-4F-EL	L2	4" FLG.	14 3/16	14 3/16	45	6	
BG3-L2-4F-ECEL	L2	4" FLG.	15		36 1/8	7	18 1/2
BG3-L2-4F-V-CLAMP	L2	4" FLG.	12		36 1/8	7	18 1/2
BG3-L2-4F-DAVIT	L2	4" FLG.	14 3/16	14 3/16	45	6	