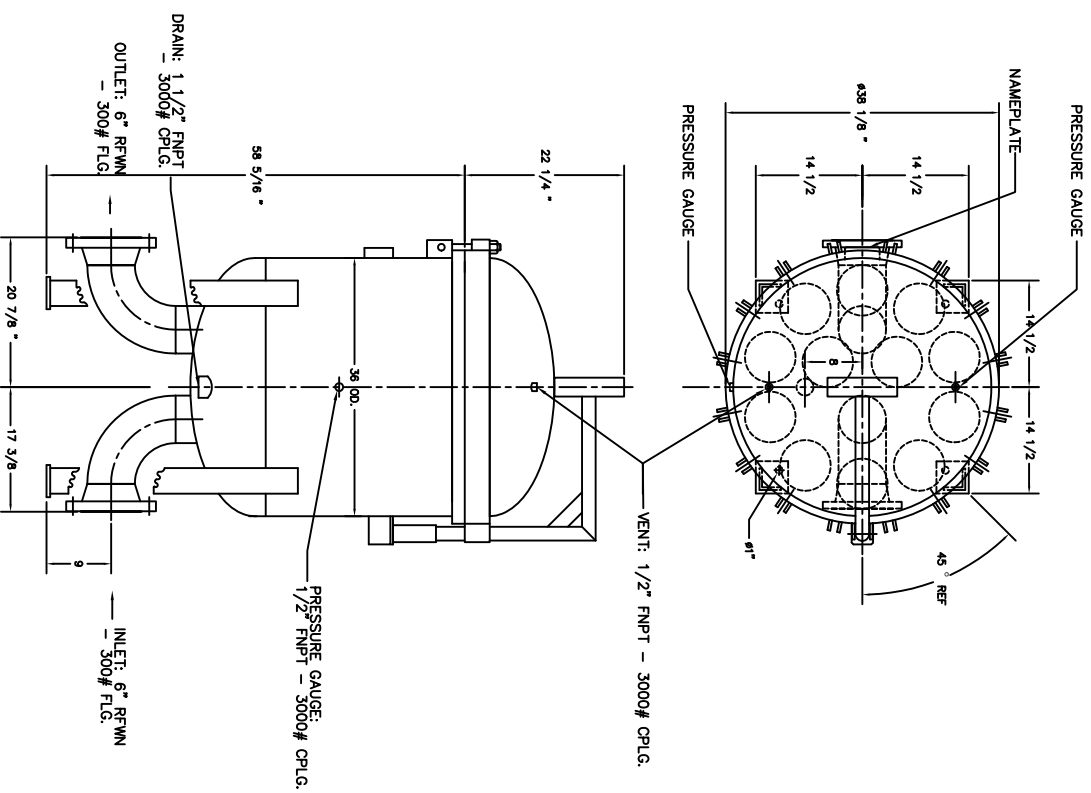


ESS CORP.

MODEL: BG12-L2-6F-CS-350



SPECIFICATIONS

- DESIGN CODE: ASME SEC. VIII, DIV. 1, ASME U STAMP
- MATERIAL OF CONSTRUCTION: CARBON STEEL
- EXTERNAL SURFACES FINISH: BLASTED AND PAINTED
- INTERNAL SURFACES FINISH: BARE
- COVER "O" RING MATERIAL: BUNA-N
- DESIGN PRESSURE: 350 PSIG @ 250 DEG. F.
- MIN. DESIGN METAL TEMP.: -20 DEG. F. @ 350 PSIG
- BOLTS AND HEX NUTS MATERIALS: PLATED CARBON STEEL
- CONNECTIONS INLET/OUTLET: 6 in. RFWN-300# FLG.
PRES. GAUGES: 1/2 in. FNPT-3000# CPLG.
VENT: 1/2 in. FNPT-3000# CPLG.
DRAIN: 1 1/2 in. FNPT-3000# CPLG.
- FILTER BAGS MUST BE ORDERED SEPARATELY
SIZE: 7 X 30
QUANTITY: 12
- BASKET 180AK316
SIZE: #2
QUANTITY: 12
MATERIAL: STAINLESS STEEL 304
FROM PERFORATED 18 GAUGE PLATE WITH 1/8" DIA. HOLES ON 3/16" CENTRES
- BASKET "O" RING MATERIAL: BUNA-N
QUANTITY: 12

NOTES: SPECIFICATION & SIZES CAN CHANGE WITHOUT PRIOR NOTICE. FOR REFERENCE ONLY.
NOT TO BE USED FOR PRE-PIPING WORK; NOT TO SCALE. VESSEL MAY LOOK NOT EXACTLY AS SHOWN.
ACCURATE DIMENSIONS ON REQUEST WITH CERTIFIED DRAWING.

NOTES: SPECIFICATION & SIZES CAN CHANGE WITHOUT PRIOR NOTICE. FOR REFERENCE ONLY.
NOT TO BE USED FOR PRE-PIPING WORK; NOT TO SCALE. VESSEL MAY LOOK NOT EXACTLY AS SHOWN.
ACCURATE DIMENSIONS ON REQUEST WITH CERTIFIED DRAWING.